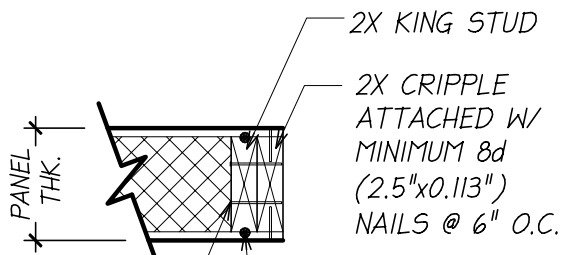


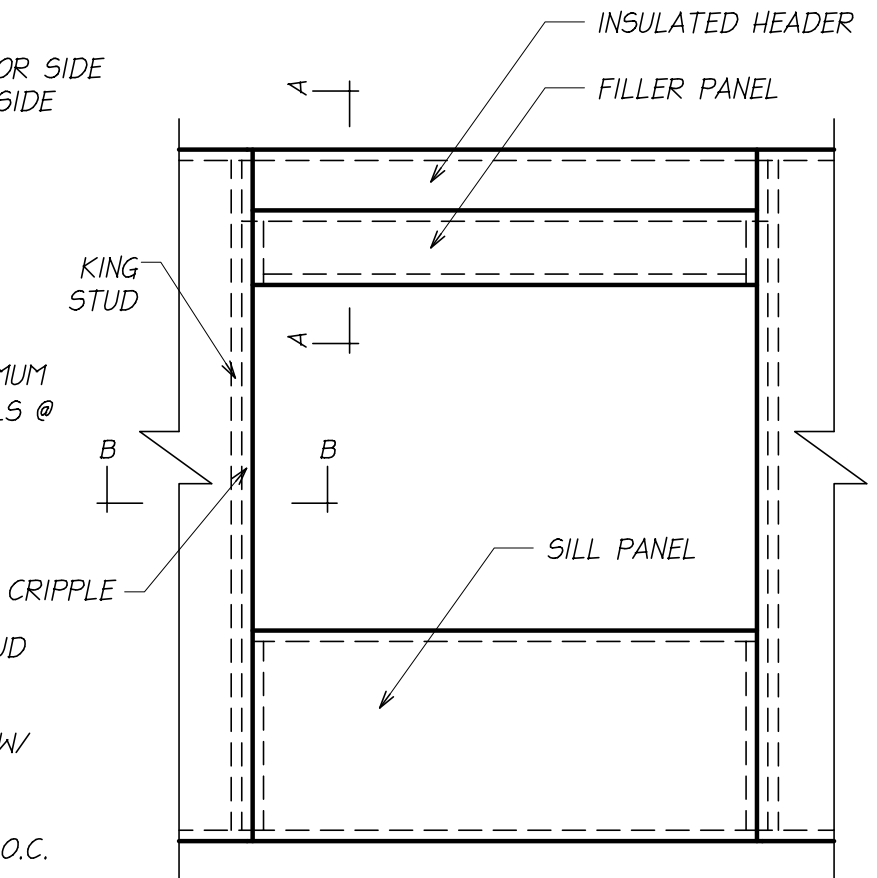
A - A



10d (3"x0.131")
NAILS @ 8" O.C.
EACH ROW,
TWO ROWS
STAGGERED

INSULSPAN APPROVED
SEALANT AT LOCATIONS
SHOWN

B - B



NOTES:

1. THE DETAIL IS TO BE USED WITH INSULSPAN CONSTRUCTION DRAWINGS AND INSTALLATION GUIDE. REFER TO INSULSPAN CONSTRUCTION DRAWINGS FOR FINAL NAIL AND SCREW SCHEDULES.
2. ALL BUILDING COMPONENTS USED IN CONJUNCTION WITH THIS DETAIL SHALL BE IN COMPLIANCE WITH LOCAL CODE REQUIREMENT.

INSULSPAN[®]
STRUCTURAL INSULATING PANEL SYSTEM

OPENING/INSULATED HEADER

SCALE:N.T.S.

LAST UPDATE: JUNE 22, 2010

400.14