



PlastiSpan™ Insulation

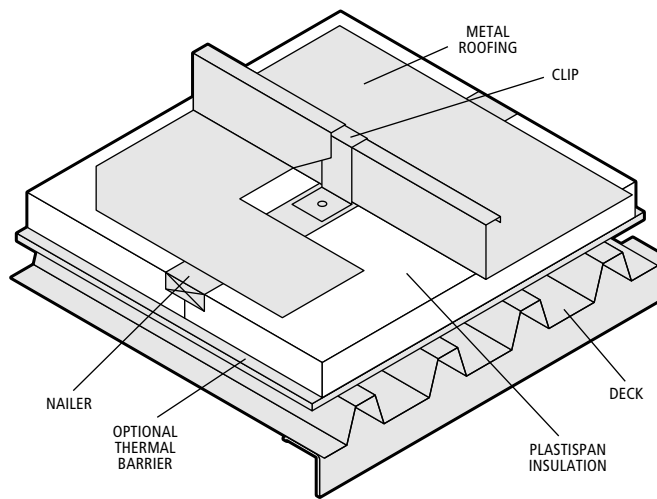
Standing Seam Roofing

Metal standing seam roof systems incorporating Plasti-Fab PlastiSpan insulation provide an energy efficient option for a wide range of applications. The exterior metal surface can include a variety of profiles and colours to suit many architectural requirements and the system offers the added advantage of installation at any temperature.

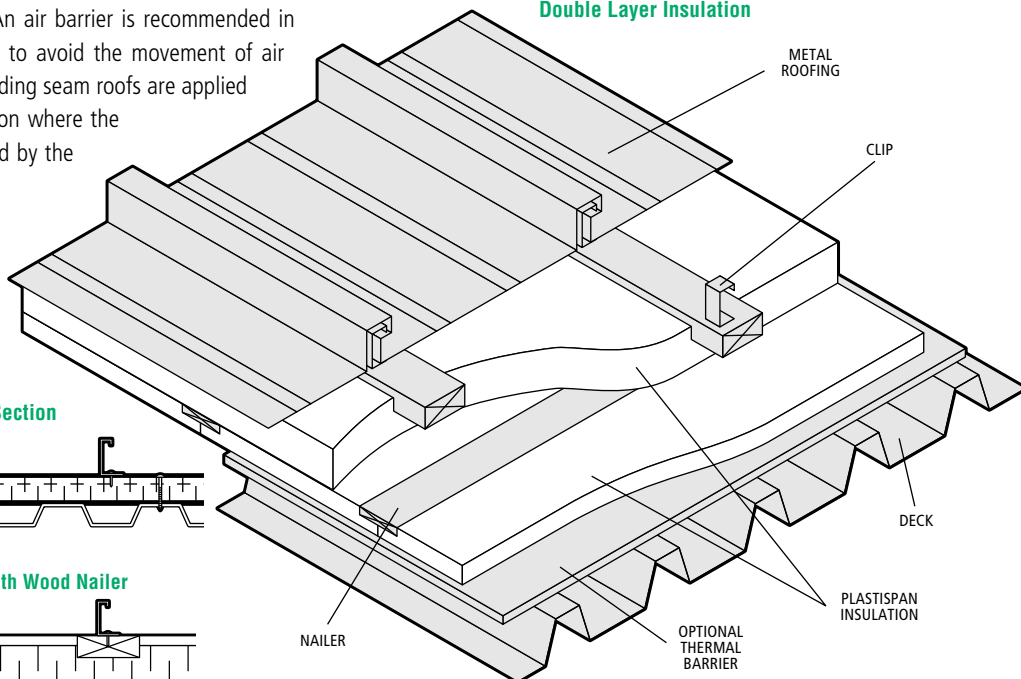
Modern metal roof designs incorporate a number of different design concepts. The standing seams are often roll-formed on the jobsite and include a sealant placed in the seam. The roof system is held down with clips that are incorporated into the standing seams and have a slotted hole for attachment to provide for expansion/contraction of the roof assembly.

The use of PlastiSpan insulation board within the metal roof assembly provides a uniform insulation layer with the required thermal resistance. The insulation can be laid over a light gauge steel deck incorporating a thermal barrier or vapour barrier where required. An air barrier is recommended in the roof system in order to avoid the movement of air through the system. Standing seam roofs are applied to sloped roof construction where the required slope is provided by the roof structure itself.

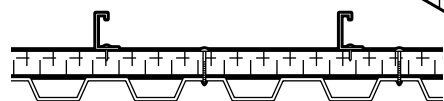
Single Layer Insulation



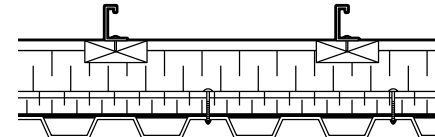
Double Layer Insulation



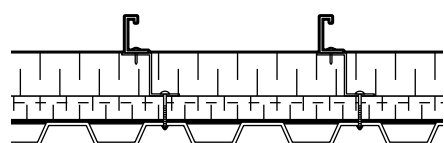
Typical Section



Typical Section with Wood Nailer



Typical Section with Z-bar



Application

General application recommendations can be found in the PlastiSpan brochure "Roof and Deck Insulation Roof Applications – Selection, Application and Specification".

The following instructions apply specifically to standing seam metal roofs.

Attach roof retainer clips to nailer or Z-bar with fastener suitable for the purpose

OR

If nailer or Z-bar is not used; Fasten metal bearing plate through insulation to roof deck using a minimum of 2 fasteners per plate.

Fasten roof retainer clip to the bearing plate.

Specification

An outline for a recommended specification section can be found in the PlastiSpan brochure "Roof and Deck Insulation Roof Applications – Selection, Application and Specification".

Sample Thermal Resistance Calculation

